

## LIQUID LEVEL FLOAT SWITCH F263 SERIES

### DESCRIPTION

The **Johnson Control F263 Series liquid level float switches** are designed to maintain a liquid level in indoor or outdoor closed tanks that hold water or other nonhazardous liquids. When the liquid level in the tank rises above or falls below the required level, the single-pole, double-throw (SPDT) switch closes one circuit and opens a second circuit.

### FEATURES

- **Viton® diaphragm**
- **Single-pole, double-throw switch**
- **Sturdy Type 4 (NEMA) enclosure**
- **Solid polycarbonate float (F263MAP models)**

**NEW!**



F263 Series



6

FLOW

### SPECIFICATIONS

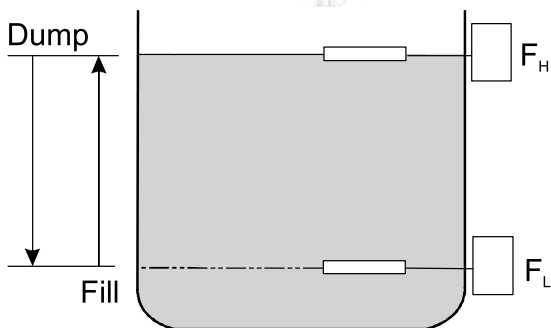
<b>Switch Enclosure</b>	Single-pole, double-throw (SPDT) UL: Type 4 (NEMA) CE: IP67	<b>Liquid Temperature Range</b>	Minimum: 20°F (-29°C) or liquid freezing point Maximum: 212°F (100°C) polycarbonate, 250°F (121°C)
<b>Wiring Connections</b>	Three color-coded screw terminals and one ground terminal	<b>Ambient Conditions</b>	Minimum: -40°F (-40°C) Maximum: 140°F (60°C)
<b>Conduit Connection</b>	One 7/8" (22 mm) hole for 1/2" trade size (or PG16) conduit	<b>Approvals</b>	cULus Listed: UL 60730, File E6688, FCC Compliant to CRFR47, Part 15, Subpart B, Class B Industry Canada (IC) Compliant to Canadian ICES-003, Class B limits
<b>Pipe Connector</b>	1" 11-1/2" NPT threads	<b>Warranty</b>	1 year
<b>Minimum Tank Diameter</b>	9" (229 mm)		
<b>Maximum Liquid Pressure</b>	100 psig (690 kPa) for copper float 150 psig (1,035 kPa) for polycarbonate float		

### TECHNICAL SPECIFICATIONS

#### F263 Switch Electrical Ratings

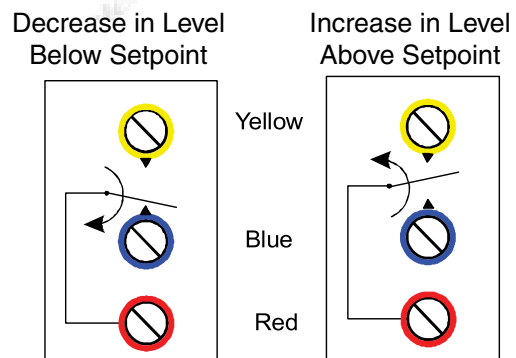
Volts 50/60 Hz	UL60730				EN60730	
	24	120	208	240	24	230
Horsepower	–	1	1	1	–	–
Full Load Amperes	–	16	10	10	–	8
Locked Rotor Amperes	–	96	60	60	–	48
Resistive Amperes	16	16	10	10	16	16
Plot Duty VA	125	720	720	720	125	720

### OPERATION



Float Switch Setup

### FLOAT SWITCH ACTION



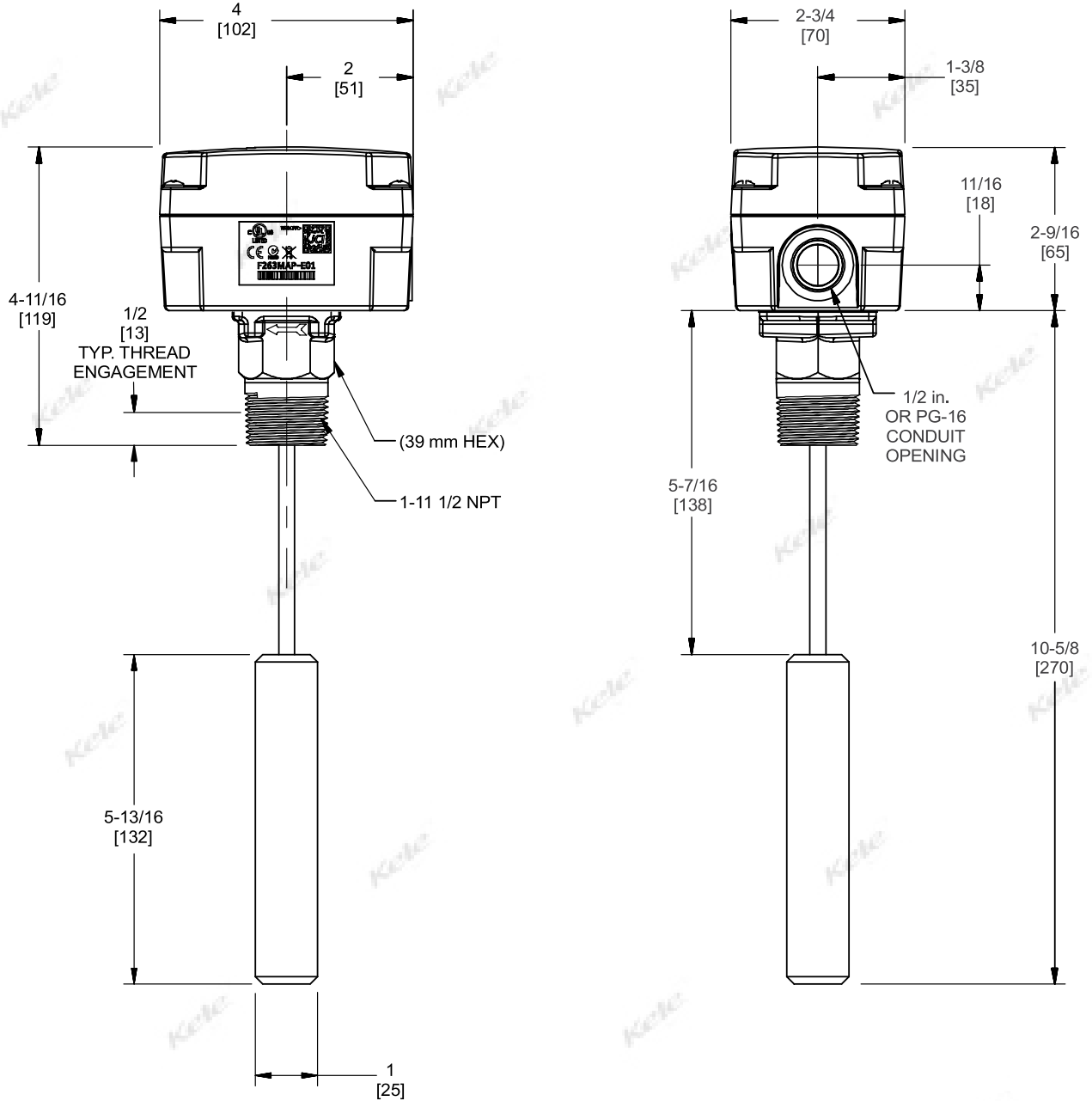
Float Switch Action

**NEW!**



## LIQUID LEVEL FLOAT SWITCH F263 SERIES

### DIMENSIONS



6

FLOW

### ORDERING INFORMATION

**MODEL**  
**F263MAC-V01C**

**DESCRIPTION**

SPDT float switch with a NEMA4 enclosure and copper float for liquid temperatures -20 to 250°F (-29 to 121°C); maximum liquid pressure 100 psig (690 kPa)

**F263MAP-V01C**

SPDT float switch with a NEMA4 enclosure and polycarbonate float for liquid temperatures -20 to 212°F (-29 to 100°C); maximum liquid pressure 150 psig (1,035 kPa)